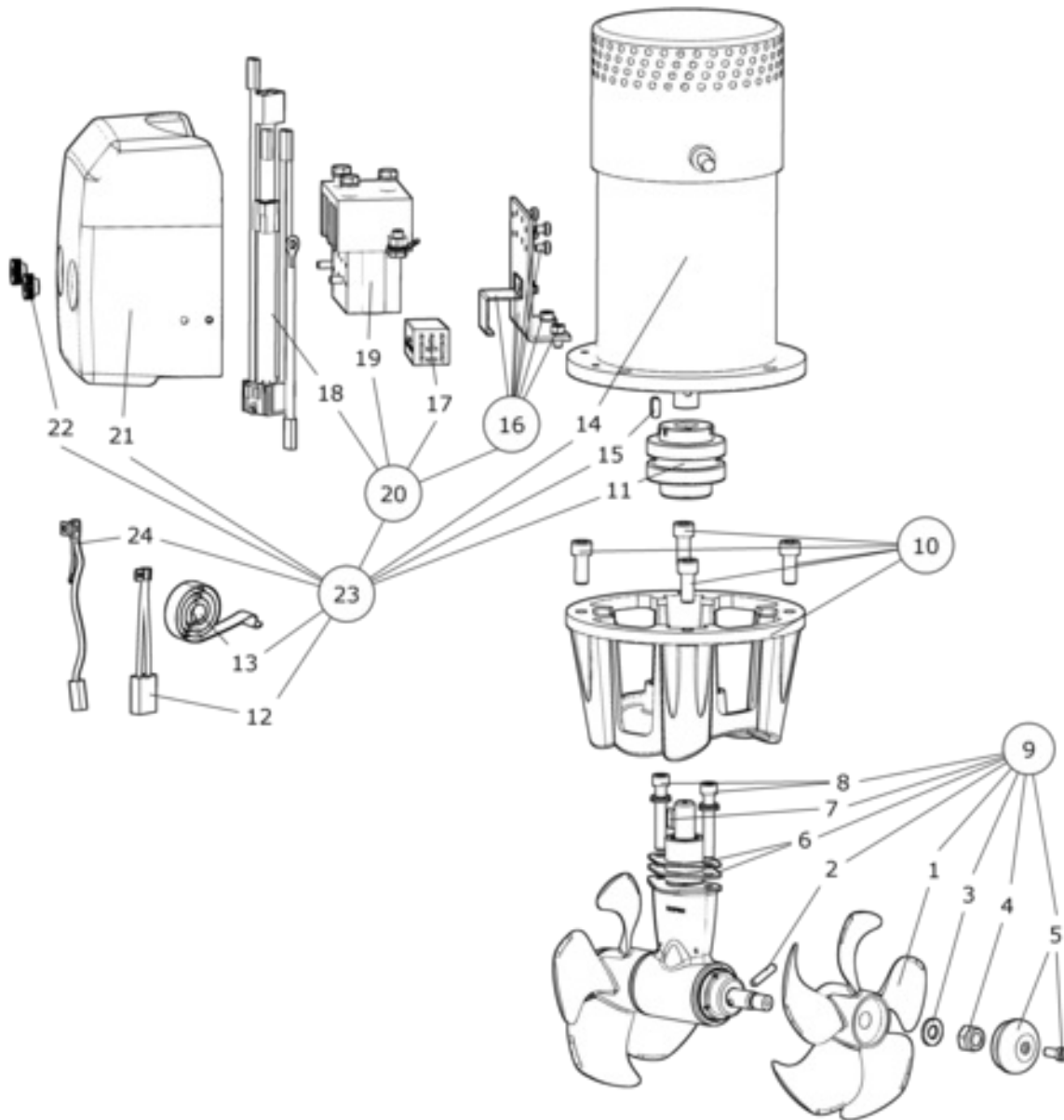


SE130/250T-24V - SE130 Tunnel bow/stern thruster, 24V



Spare parts (valid from 2016-08-29)



#	Description	Product
1	Propeller	10 1271 RH - Q-Prop thruster propeller, RH - SE130/170/210/H240
2	Propeller drivepin	9 1241 - Drive pin SE120-170
3	Propeller washer	20 1181 - Washer f/propell SP155/220/285
4	Locknut	10 1260 - DIN985 M16 CZ132
5	Anode	20 1180 A - Anode, aluminium, SE120/130/150/170
6	Gasket	9 0610 - Gasket SP125T
7	Driveshaft key	10 1440
8	Gearleg bolt	10 1080 - Bolt M10 x 50 Unbraco
9	Complete gearleg	9 0601 - Complete gearleg SE130
10	Complete motor bracket	10 0501 - Complete motor bracket SE130/170/SH240
11	Complete flexible coupling	7 1463 - Complete flexible coupling for shaft dia ø20/20mm
12	Brushes for motor (kit)**	**
13	Brush springs for motor (kit)**	**
14	Electric motor	N/A
15	Key for electric motor shaft	10 1440 - Key for drive shaft SP95/125++
16	Solenoid bracket kit	10 0140 24 - Solenoid bracket kit
17	Electronic control box	6 1232 I - IPC relay 12/24V
18	Internal wiring loom	6 1226 B - Internal wiring harness
19	Solenoid	41371243 - Solenoid replacement
20	Complete solenoid kit	10 0131 24 - Complete solenoid kit 24v SE100/170
21	Solenoid Cover	8 2026 - Solenoid cover for SE100/130T-24
22	Nut for solenoid cover	6 8810 - Nut for solenoid cover
23	Complete electric motor assembly	9 0101 24 - Complete electric motor for thruster SE130-24v
24	Temp switch*	*

(12) ** Please provide thruster serial # when ordering brushes and brush springs.

(13) ** Please provide thruster serial # when ordering brushes and brush springs.

(24) * Please provide thruster serial # when ordering Temp switch.

The installer alone has responsibility for the installation of the spare parts. Side-Power only warranty the spare parts supplied only.

The information given in the document was correct at the time it was published. However, Sleipner Motor AS can not accept liability for any inaccuracies or omissions it may contain. Continuous product improvement may change the product specifications without notice. Therefore, Sleipner Motor AS can not accept liability for any possible differences between product and document.