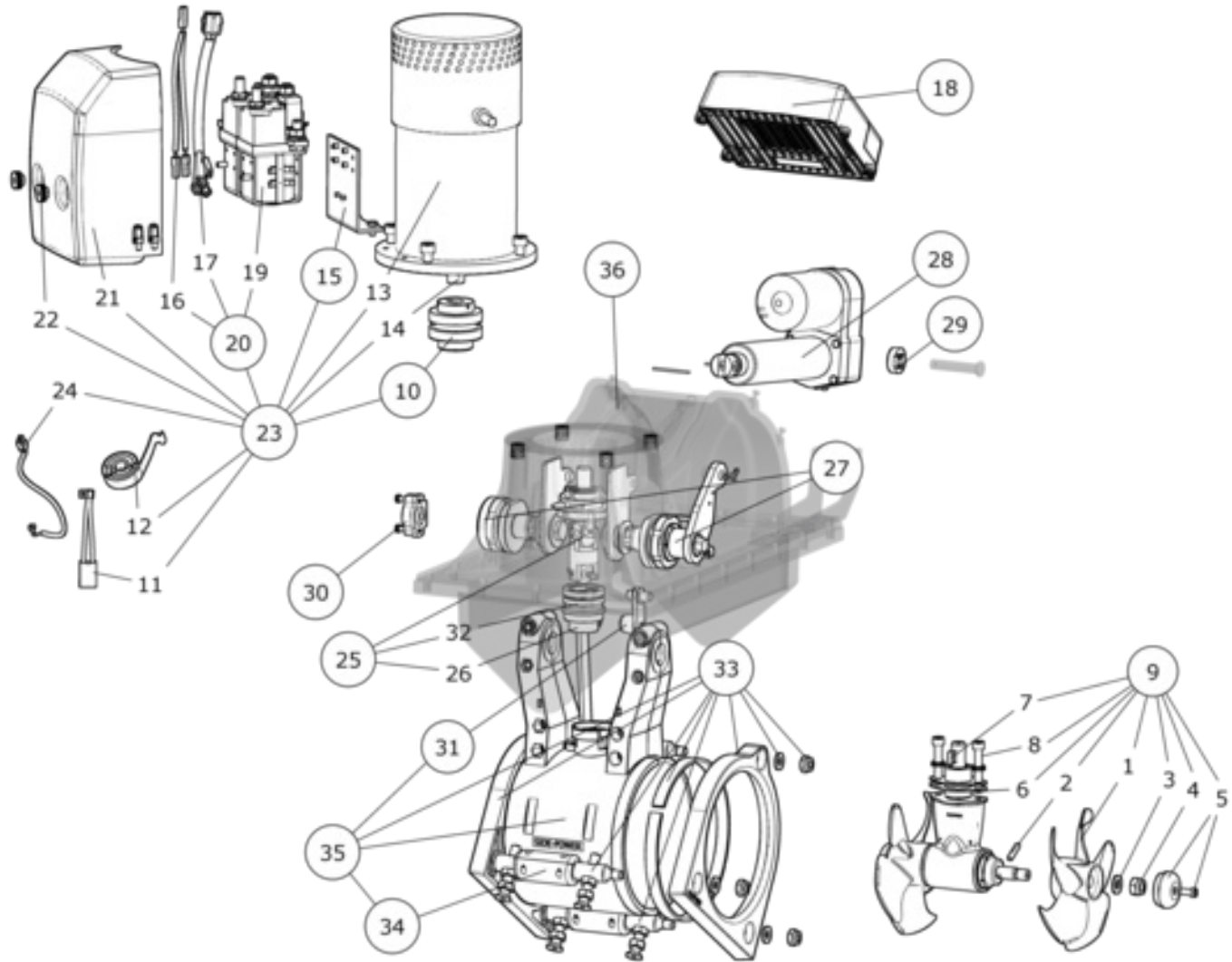


SRV100/185T-12V - SRV100 Retractable SIDE-POWER bow/stern thruster 12V

Spare parts (valid from 2017-11-22)



#	Description	Product
1	Propeller	7 1261 - Thruster propeller Twin ø185 / 5 bl
2	Propeller drivepin	6 1241 - Drivepin for propeller 5mm
3	Propeller washer	7 1181 - Propeller washer SE60/80/100
4	Locknut	4 1260 - Lock nut
5	Anode	7 1190 A - Anode, aluminium, SE60/80/100
6	Gasket	8 0610 - Gasket for gearleg installation in tunnel, SP75/95
7	Driveshaft key	6 1440 - Key for flexible coupling 7HP/SP75/95
8	Gearleg bolt	12830 - Bolt M8 x 30 6kt
9	Complete gearleg	8 0601 - Complete gearleg SE80/100
10	Complete flexible coupling	7 1462 - Complete flexible coupling for shaft dia ø16/20mm
11	Brushes for motor (kit)**	**
12	Brush springs for motor (kit)**	**
13	Electric motor	N/A
14	Key for electric motor shaft	10 1440 - Key for drive shaft SP95/125++
15	Solenoid bracket kit	9 0136 12 - Solenoid bracket kit
16	Internal wiring loom	6 1222 - Wiring loom
17	Internal wiring loom	6 1223 - Internal wiring harness
18	Electronic control unit	150000 - Electronic Control Unit SRV
19	Solenoid	1013713 - Solenoid replacement
20	Complete solenoid kit	8 0133 12
21	Solenoid Cover	6 2025 - Solenoid cover for SE80T
22	Nut for solenoid cover	6 8810 - Nut for solenoid cover
23	Complete electric motor assembly	8 0107 12 - Complete electric motor for thruster SEP100-12V
24	Temp sensor	31091 - NTC Temperature probe M5 L=300mm
25	Vertical drive shaft kit	6 2076 - SRV vertical shaft 185mm.
26	Lower vertical drive shaft kit	TBA
27	Horizontal shaft kit	6 2075 - SRV horizontal shaft 185mm.
28	Actuator	140000-P8 - Aktuator P8, 12v SRV
29	Shear washer	140117 - Grommet / Shear
30	Sensor	140144 - Position Sensor 5KOhm 3pin
31	Anode retract	6 1180 - Anode, zinc, for 4HP up to 1999
32	Shaft sealing	140029 - Mechanical sealing ø35mm, type 14DIN
33	Retract ring support kit 185mm	6 2142 - Retract ring support kit 185mm
34	Retract tunnel anode w/bolts	140629 - Anode rod for SRV thrusters
35	Complete Retract tunnel kit 185mm	6 2199 - Retract Ø185 Tunnel Complete Set
36	Complete Retract mechanism assembly	tba
37	Extension harness for 150000 control unit	6 2202-DC-3M - Extension harness for150000

The installer alone has responsibility for the installation of the spare parts. Side-Power only warranty the spare parts supplied only.

The information given in the document was correct at the time it was published. However, Sleipner Motor AS can not accept liability for any inaccuracies or omissions it may contain. Continuous product improvement may change the product specifications without notice. Therefore, Sleipner Motor AS can not accept liability for any possible differences between product and document.